

PRODUCT AND DESIGN GUIDE



REBUILDING LIVES. BUILDING FURNITURE.
PURPOSEFUL-DESIGN™
— EST. 2013 —

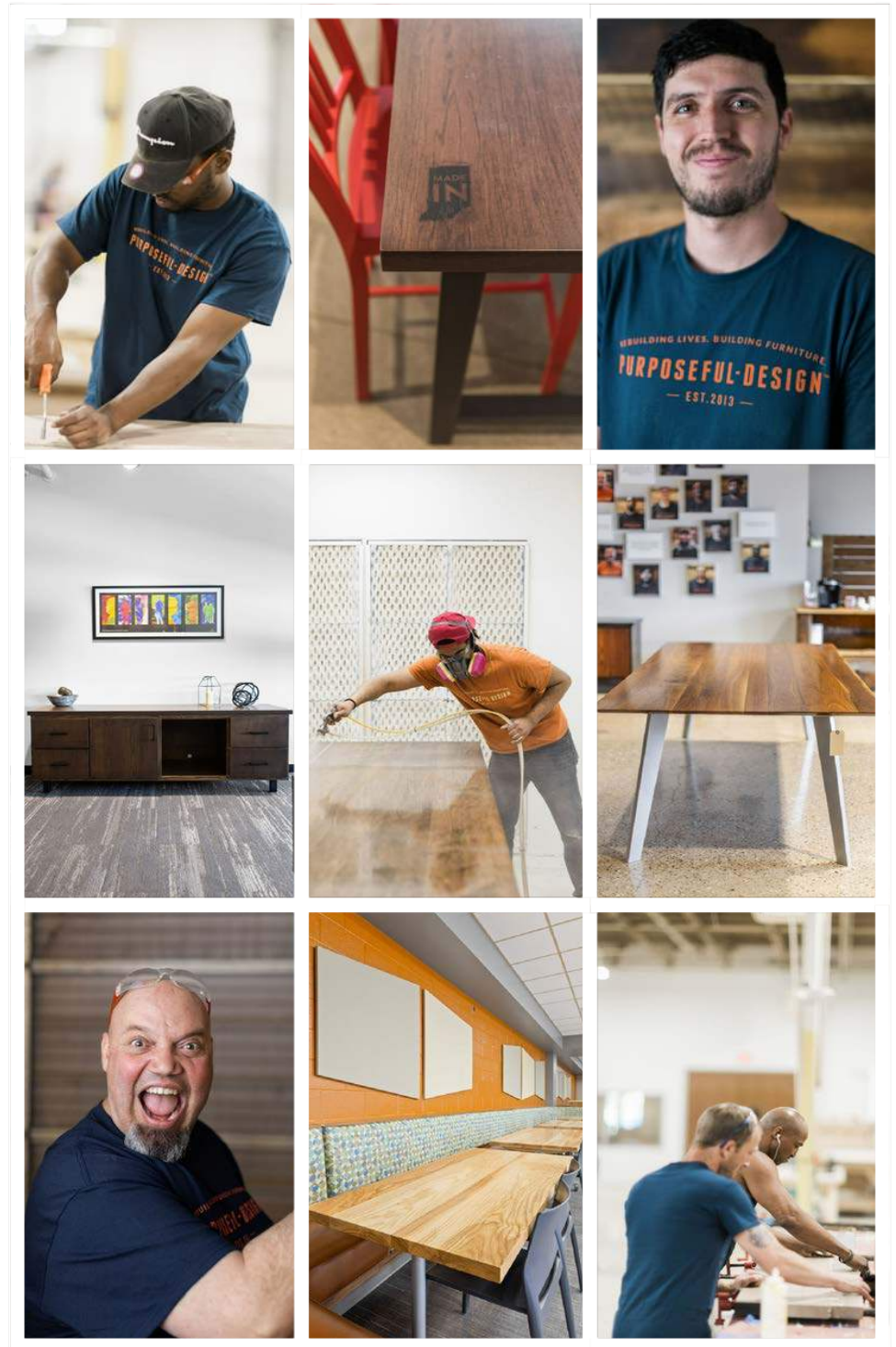
MISSION				
FURNITURE OVERVIEW				
SEMI-CUSTOM	TABLES			
	BENCHES			
	STOOLS/CHAIRS			
CUSTOM				
INSPIRATION				

OUR MISSION

Purposeful Design is a poverty-fighting ministry focused on rebuilding lives from hopelessness to promise.

We welcome men coming from the streets through homeless missions who want a better life. We offer jobs making high quality furniture, with opportunity for advancement and a variety of character, lifestyle, and spiritual growth inputs.

The combination of an ordered lifestyle centered around work, new relationships, and habits, puts them on the road to becoming self-sufficient and capable of earning a living wage. While learning the art of furniture making, we are also building a foundation necessary for successful employment and living: discipline, trustworthiness, and relationship skills.



MISSION	
FURNITURE OVERVIEW	
SEMI-CUSTOM	TABLES
STOOLS/CHAIRS	BENCHES
CUSTOM	
INSPIRATION	

THE PD DIFFERENCE

1. Made to Spec

- We make exactly what you want.
- We can service small one-time orders as well as high quantity production-style orders.

2. Quality

- Our solid wood product stands out against the rest.
- Built to last. In 10-15 years when your product starts to show normal wear and tear, send it back to us and we can refinish it.

3. Mission

- This isn't just a table, it's a story of lives being changed from hopelessness to promise.





OUR PROVEN PROCESS

MISSION	
FURNITURE OVERVIEW	
SEMI-CUSTOM	TABLES
STOOLS/CHAIRS	BENCHES
CUSTOM	
INSPIRATION	

1	<p>INTRODUCTION</p> <p>Learn about Purposeful Design and how you can join us in the fight against poverty. We think amazing things are happening at PD and we can't wait to share with you.</p>	<ul style="list-style-type: none"> • PD Mission and Results • Products • Competencies • Visit PD (optional)
2	<p>SCOPING</p> <p>Let's talk about your upcoming project opportunities and where PD can help transform your space.</p>	<ul style="list-style-type: none"> • Project Overview • Timeline • Budget • Parties Involved
3	<p>DESIGN & PRICE</p> <p>Different levels of customization available based on your specific needs.</p> <ul style="list-style-type: none"> • Semi-Custom. Standardized options, lower price, quicker turnaround for design and price. • Custom. Work with PD Engineering & Design Team. 3-D drawing, higher price. This phase takes a little longer as we work with you to get the details just right. 	<ul style="list-style-type: none"> • Design Creation • Design Review and Revisions • Design Approval • Pricing
4	<p>APPROVALS</p> <p>The preliminary work is finished and you are ready to order. We will finalize product & delivery details, including acceptance of custom paints and stains.</p>	<ul style="list-style-type: none"> • Customer PO • Work Order signoff • 50% Deposit Invoice • Estimated Delivery Date
5	<p>MANUFACTURING</p> <p>Our craftsmen and apprentices will get to work building your furniture. This is really fun, sometimes stressful, and it's where we see the life-change in our men really start to take place.</p>	<ul style="list-style-type: none"> • Rebuilding Lives, Building Furniture • Made-to-order
6	<p>DELIVERY</p> <p>We know you're ready for it! Our delivery lead will reach out to schedule a delivery date as soon as the manufacturing process is complete.</p>	<ul style="list-style-type: none"> • Deliver Finished Product • Invoice for remaining balance • Customer Satisfaction • Repeat!

OUR DESIGN LANES



MISSION

FURNITURE OVERVIEW

SEMI-CUSTOM

STOOLS/CHAIRS

CUSTOM

INSPIRATION

SEMI-CUSTOM

- Customers select from a range of available options for each relevant design element.
- **Customized furniture, the easy way.**
- Available for tables, benches, and stools/chairs.
- **Keep reading below to see all of our available options.**



CUSTOM

- **Full range of customization when designing your furniture.**
- Work with the PD Engineering and Design Team to bring your design to life.
- **More information on the [Custom Design Lane](#) can be found later in this document.**



MISSION		
FURNITURE OVERVIEW		
SEMI-CUSTOM	BENCHES	TABLES
	STOOLS/CHAIRS	
CUSTOM		
INSPIRATION		

PRODUCT OFFERINGS

TABLES

- ● Dining Height
- ● Counter Height
- ● Bar Height
- ● Occasional

DESKS

- ● Working Desk
- ● Reception Desk

SEATING

- ● Bench
- ● Stool
- ● Chair

OTHER FURNITURE

- ● Credenza
- ● Bookcase
- ● Divider Wall
- ● Planter Box

COMPONENT PARTS

- ● Table Tops
- ● Table Bases
- ● Countertops



These dots correspond to the available Design Lanes for the product offerings above.

Semi-Custom ● Custom ●



MISSION		
FURNITURE OVERVIEW		
SEMI-CUSTOM		
STOOLS/CHAIRS	BENCHES	TABLES
CUSTOM		
INSPIRATION		



SEMI-CUSTOM TABLES



REBUILDING LIVES. BUILDING FURNITURE.
PURPOSEFUL-DESIGN™
 — EST.2013 —

DESIGN ELEMENTS — TABLES

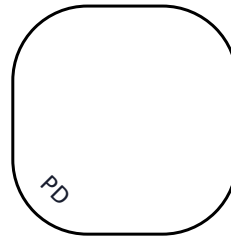
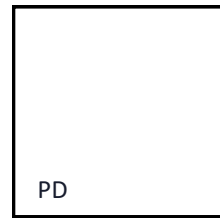


To create a table in the Semi-Custom Design Lane, follow the numbered steps through this document and select an option for each Design Element.

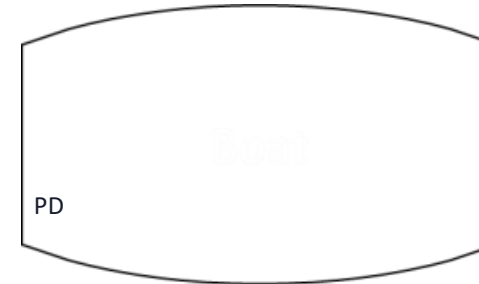
1 SHAPE

Square

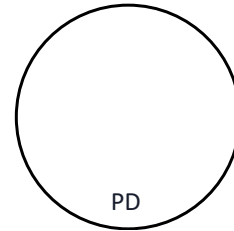
Also available with 1" corner radius or 6" corner radius (shown)



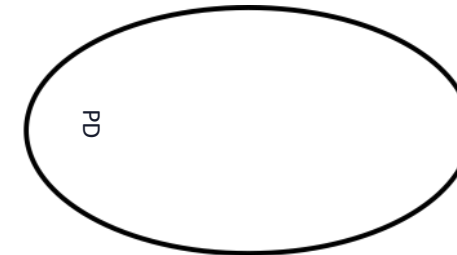
Boat



Round



Ellipse

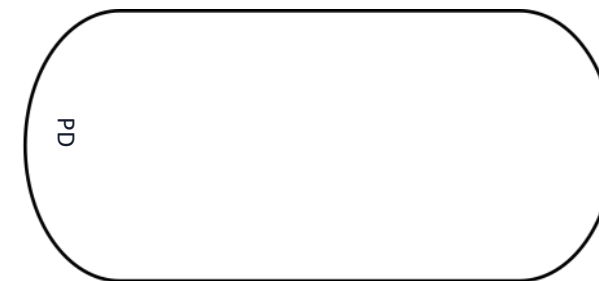


Rectangle

Also available with 1" corner radius or 6" corner radius



Racetrack



PD = Location of branding. See [Branding](#) section for more information.

Not seeing the shape you are looking for? We can further customize the shape of your top in the [Custom Design Lane](#).

MISSION
FURNITURE OVERVIEW
SEMI-CUSTOM
STOOLS/CHAIRS
BENCHES
TABLES
CUSTOM
INSPIRATION

DESIGN ELEMENTS — TABLES



2 SIZING—WIDTH AND LENGTH

The width and length of your top can be specified in 1" increments.

Choose a width. The maximum width for your top is 60".
and

Choose a length. The maximum length you can select for your top is influenced by two factors.

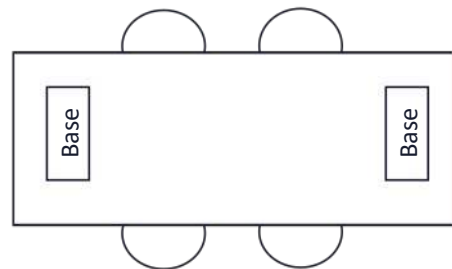
1. Thickness of Top

2. Base Placement

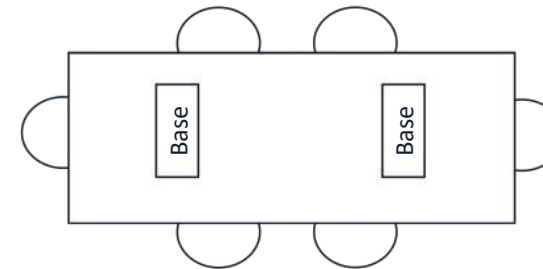
See chart below for maximum lengths.

BASE PLACEMENT	TOP THICKNESS		
	1" Thick	1.25" Thick	1.5" Thick
Outset (4" Overhang) (default)	Up to 68"L	Up to 95"L	Up to 122"L
Inset (15" Overhang)	Up to 90"L	Up to 117"L	Up to 144"L

Outset (4" Overhang)
No seating on end



Inset (15" Overhang)
Additional seating on end



Tables exceeding these width and length limits can be designed in the Custom Design Lane.

MISSION

FURNITURE OVERVIEW

SEMI-CUSTOM

TABLES

BENCHES

STOOLS/CHAIRS

CUSTOM

INSPIRATION

DESIGN ELEMENTS — TABLES



3 WOOD SPECIES AND THICKNESS

Choose a thickness as well as a species. Solid wood tops are available in 1", 1.25", and 1.5" thickness in the species shown below.









Wood Species From least expensive to most expensive	Natural Finish	Stain Colors	Finished Texture
Ash		Natural or Stained	Can see/feel grain
Maple		Natural or Stained	Smooth
Cherry		Natural or Stained	Smooth
Quarter-Sawn Red Oak		Natural or Stained	Can see/feel grain
Flat-Sawn White Oak		Natural Only	Can see/feel grain
Walnut		Natural Only	Smooth

Not seeing the wood species you are looking for? Looking for a different thickness? Interested in a live-edge slab? We can further customize your wood top in the Custom Design Lane.

For maximum durability, all our tables are treated with a commercial-grade finish. Our default finish sheen is **Matte**, as we think Matte allows the wood to retain a natural look. Customers desiring a shinier surface finish may request that their top be finished in a Satin sheen.

4 STAIN COLOR

Choose a stain color, or opt to have your table finished 'Natural'.

Aged Ash	
Early American	
Classic Gray	
Red Mahogany	
Jacobean	
Mocha	
Ebony	
True Black	

*not available on Maple

*not available on Maple

A custom stain match can also be done upon request.

MISSION
FURNITURE OVERVIEW
SEMI-CUSTOM
STOOLS/CHAIRS
BENCHES
TABLES
CUSTOM
INSPIRATION

DESIGN ELEMENTS — TABLES

5 BRANDING

Choose from the following:

- **Purposeful Design Hot Iron Brand (default)**
- Purposeful Design Medallion featuring a QR Code to the www.pdindy.com website, available in Silver and Gold.
- Hot Iron Brand with customer-specified logo.

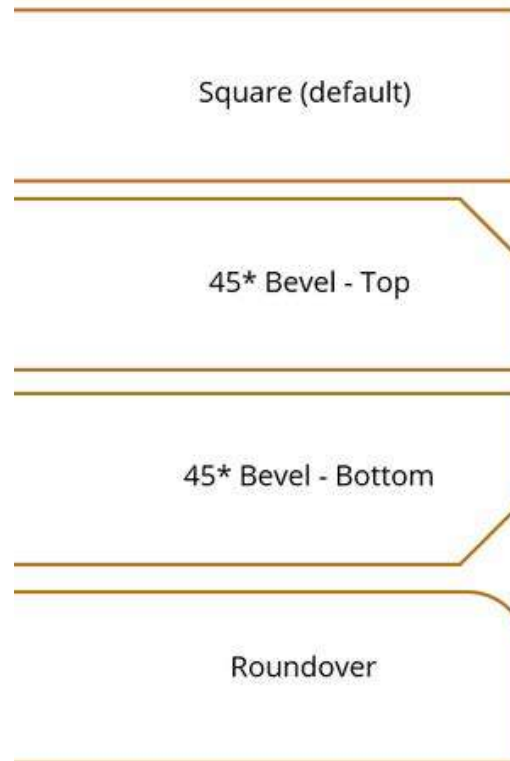
The placement of the branding on the top of the table is shown in the [Shapes](#) section.



6 EDGE PROFILE

Choose from the following:

- **Square (default)**
- 45* Bevel - Top
- 45* Bevel - Bottom
- Roundover



7 OPTIONAL ADDITIONS

POWER

You can add up to 4 data ports to a table.

In-surface



- 2 outlets and 1 dual USB stack (A+C)
- Clear Anodized Aluminum (Matte Black)
- 120" L cord with straight plug
- Width: Always centered across width of table.
- Length:
 - 1 data port; centered on table's length
 - 2 data ports; 30" from each end of the table
 - 3-4 data ports; spaced evenly along the length of the table

Undermount



- 2 outlets and 1 dual USB stack (A+C)
- Clear Anodized Aluminum (Matte Black)
- 120" L cord with straight plug
- Customer is responsible for attaching.
- Purposeful Design will provide necessary mounting hardware.

Side mount



- 2 outlets and 1 dual USB stack (A+C)
- Clear Anodized Aluminum (Matte Black)
- 120" L cord with straight plug
- Customer is responsible for attaching.
- Purposeful Design will provide necessary mounting hardware.

Further customizations, such as wire management or a customer-specified data port, are available in the [Custom Design Lane](#).

MAGNETS

You can add magnets to the bottom of your table to give your metal chairs/stools the ability to be attached for mobility and easy cleaning.

GROMMETS

You can add 2" black grommets to the top of your table to give access for cords and electronics. Options include:

- 1 grommet, centered and evenly spaced
- 2 grommets, centered and evenly spaced
- 3 grommets, centered and evenly spaced
- 1 grommet, back center
- 1 grommet, back left
- 1 grommet, back right

DESIGN ELEMENTS — TABLES

PD METAL SHOP

The PD Metal Fabrication Shop was created in 2021 to create jobs for more men and to bring the quality level of the table bases up to the quality level of our solid wood tops.

Using raw steel, we measure, cut, weld, and grind until we are satisfied your base is up to our exceptional quality standards. Whether it is one of the bases in our standard line or a design that you dream up and we bring to life, we know you will love the look, feel, and quality of your Purposeful Design table!

8 BASE STYLES AND HEIGHTS

Choose from our array of wood and metal bases on the following pages. Be sure to cross-reference the dimensions of your top with the size parameters for the base you select. Many of our bases are offered with a choice between **levelers** or **casters**, depending on your mobility needs. We also offer certain styles with a **flip-top mechanism** for more compact storage when not in use.

The finished table height will fall within a 0.5" range for dining height, counter height, and bar height, depending on the thickness of the wood used in the top (1", 1.25", or 1.5").

Further customizations are available in the Custom Design Lane:

- Custom-designed base style
- Custom dimensions (height, width, length)



MISSION

FURNITURE
OVERVIEW

TABLES

BENCHES

STOOLS/CHAIRS

SEMI-CUSTOM

CUSTOM

INSPIRATION

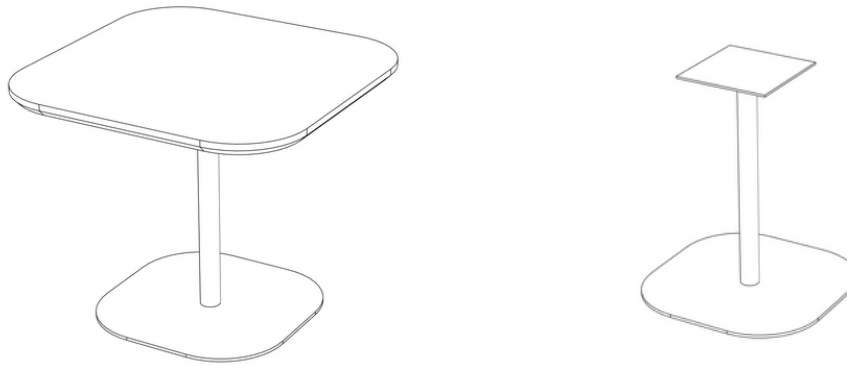
METAL BASES

MISSION

Pedestal Base, Radius'ed Square Disc, Narrow Post

Minimum Top Size: 30"x30"
Maximum Top Size: 42"x42"

Available Top Shapes
Square, Round, Ellipse



Finished Table Height	Levelers
Dining (29.5"-30")	✓
Counter (35.5"-36")	✓
Bar (41.5"-42")	✓

FURNITURE OVERVIEW

SEMI-CUSTOM

TABLES

BENCHES

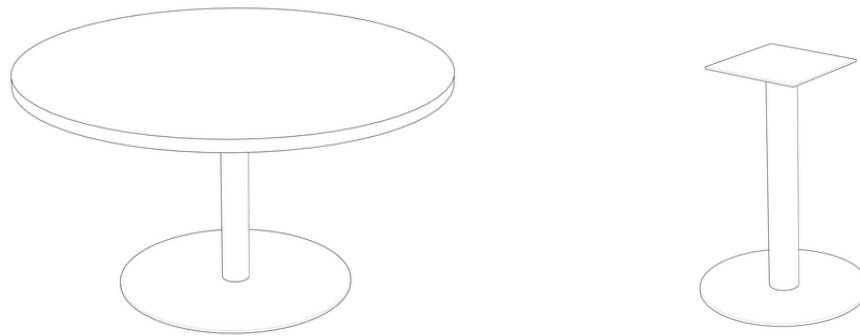
STOOLS/CHAIRS

Pedestal Base, Round Disc, 3.5" Post

Minimum Top Size: 24"x24"
Maximum Top Size: 60"x60"

Available Top Shapes
Square, Round, Ellipse

Disc diameter will be 12" smaller than diameter of table.

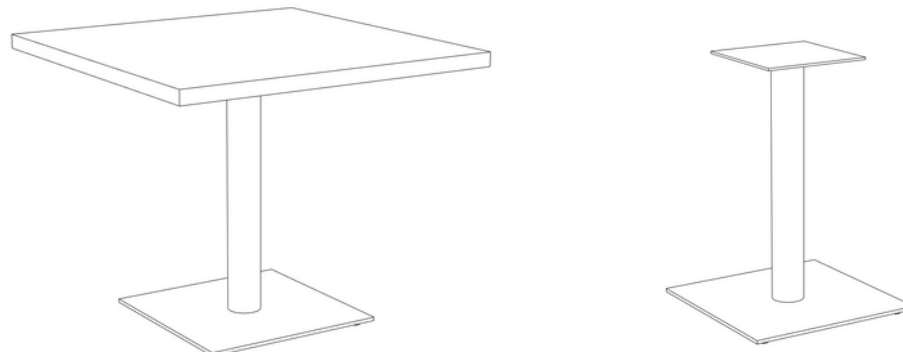


Finished Table Height	Levelers
Dining (29.5"-30")	✓
Counter (35.5"-36")	✓
Bar (41.5"-42")	✓

Pedestal Base, Square Plate, 3.5" Post

Minimum Top Size: 24"x24"
Maximum Top Size: 36"x36"

Available Top Shapes
Square, Round, Ellipse



Finished Table Height	Levelers
Dining (29.5"-30")	✓
Counter (35.5"-36")	✓
Bar (41.5"-42")	✓

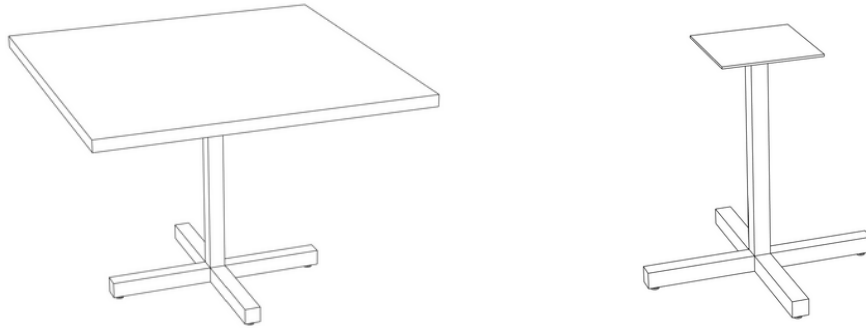
CUSTOM

INSPIRATION

METAL BASES

MISSION

Pedestal Base, Cross Style, 2" Square Tube



Minimum Top Size: 24"x24"
Maximum Top Size: 54"x54"

Available Top Shapes
 Square, Round, Rectangle,
 Ellipse

Finished Table Height	Levelers	Casters
Dining (29.5"-30")	✓	✓
Counter (35.5"-36")	✓	✓
Bar (41.5"-42")	✓	

FURNITURE OVERVIEW

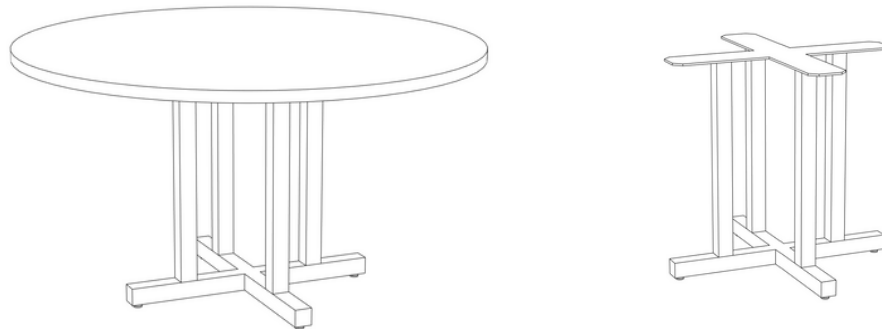
SEMI-CUSTOM

TABLES

BENCHES

STOOLS/CHAIRS

4 Post Pedestal Base, 2" Square Tube



Minimum Top Size: 36"x36"
Maximum Top Size: 60"x60"

Available Top Shapes
 Square, Round

Finished Table Height	Levelers	Casters
Dining (29.5"-30")	✓	✓
Counter (35.5"-36")	✓	✓
Bar (41.5"-42")	✓	

2 Post T-Leg, 2" Square Tube



Minimum Top Size: 48"x48"
Maximum Top Size: 60"x60"

Available Top Shapes
 Square, Round, Rectangle

Finished Table Height	Levelers	Casters
Dining (29.5"-30")	✓	✓
Counter (35.5"-36")	✓	✓
Bar (41.5"-42")	✓	

CUSTOM

INSPIRATION

METAL BASES

T-Leg, 2" Square Tube



Minimum Top Size: 18"x24"
Maximum Top Size: 44"x144"

Available Top Shapes
 Rectangle, Ellipse,
 Racetrack, Boat

Finished Table Height	Levelers	Casters
Dining (29.5"-30")	✓	✓
Counter (35.5"-36")	✓	✓
Bar (41.5"-42")	✓	

Angled Post Leg, 3" x 1.5" Rectangular Tube



Minimum Top Size: 24"x24"
Maximum Top Size: 60"x144"

Available Top Shapes
 Square, Circle, Rectangle,
 Racetrack, Boat

Finished Table Height	Levelers
Dining (29.5"-30")	✓
Counter (35.5"-36")	✓
Bar (41.5"-42")	✓

Post Leg, 2" Square Tube



Minimum Top Size: 16"x24"
Maximum Top Size: 60"x144"

Available Top Shapes
 Square, Circle, Rectangle,
 Racetrack, Boat

Finished Table Height	Levelers	Casters
Dining (29.5"-30")	✓	✓
Counter (35.5"-36")	✓	✓
Bar (41.5"-42")	✓	✓

METAL BASES

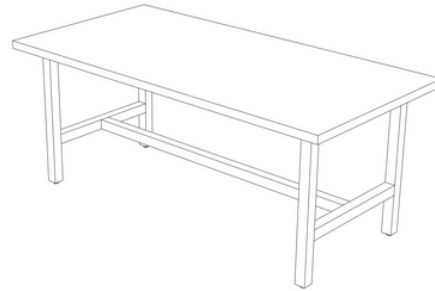
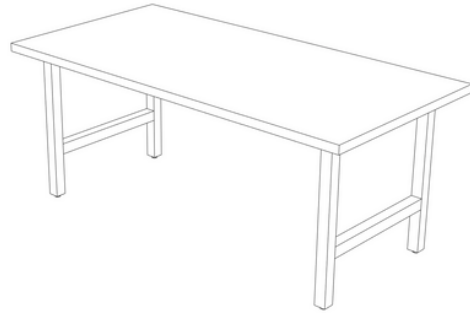
MISSION

H-Leg, 2" Square Tube

Stretcher Bar Available

Minimum Top Size: 24"x30"
Maximum Top Size: 60"x144"

Available Top Shapes
 Rectangle, Racetrack, Boat



Finished Table Height	Levelers	Casters
Dining (29.5"-30")	✓	✓
Counter (35.5"-36")	✓	✓
Bar (41.5"-42")	✓	✓

FURNITURE OVERVIEW

SEMI-CUSTOM

TABLES

BENCHES

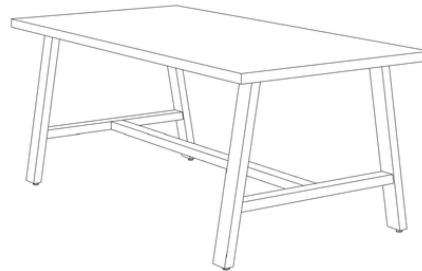
STOOLS/CHAIRS

A-Leg, 3" x 1.5" Rectangular Tube

Stretcher Bar Available

Minimum Top Size: 24"x30"
Maximum Top Size: 60"x144"

Available Top Shapes
 Rectangle, Racetrack, Boat



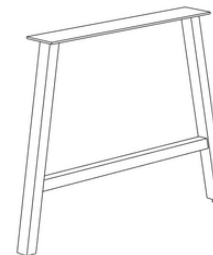
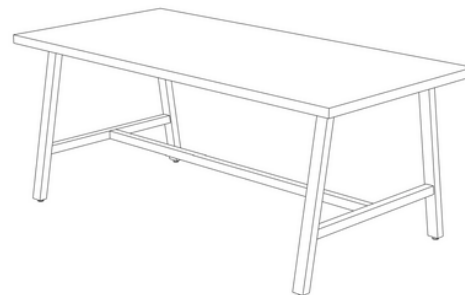
Finished Table Height	Levelers	Casters
Dining (29.5"-30")	✓	✓
Counter (35.5"-36")	✓	✓
Bar (41.5"-42")	✓	✓

A-Leg, 2" Square Tube

Stretcher Bar Available

Minimum Top Size: 24"x30"
Maximum Top Size: 60"x144"

Available Top Shapes
 Rectangle, Racetrack, Boat



Finished Table Height	Levelers	Casters
Dining (29.5"-30")	✓	✓
Counter (35.5"-36")	✓	✓
Bar (41.5"-42")	✓	✓

CUSTOM

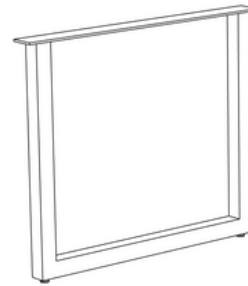
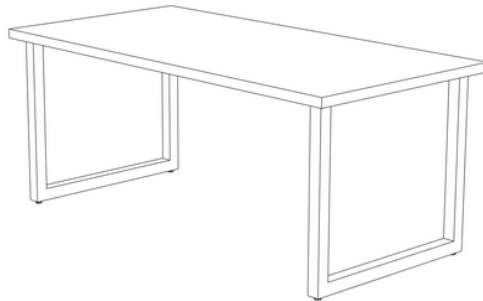
INSPIRATION

METAL BASES

U-Leg, 2" Square Tube

Minimum Top Size: 16"x30"
Maximum Top Size: 60"x144"

Available Top Shapes
 Rectangle, Racetrack, Boat

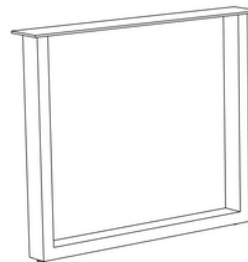
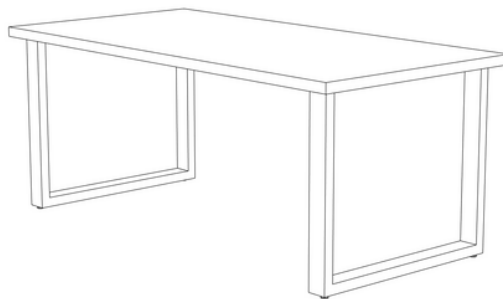


Finished Table Height	Levelers	Casters
Dining (29.5"-30")	✓	✓
Counter (35.5"-36")	✓	✓
Bar (41.5"-42")	✓	✓

U-Leg, 3" x 1.5" Rectangular Tube

Minimum Top Size: 16"x30"
Maximum Top Size: 60"x144"

Available Top Shapes
 Rectangle, Racetrack, Boat

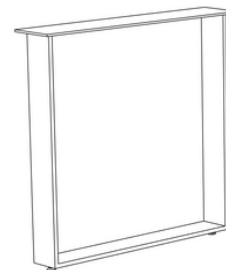
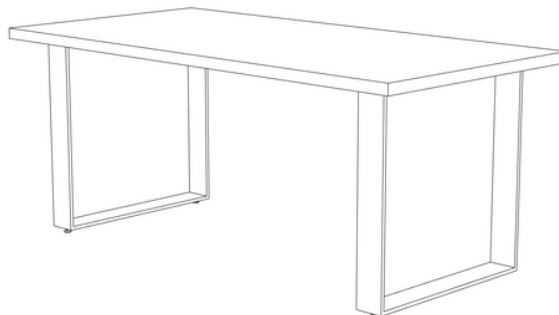


Finished Table Height	Levelers
Dining (29.5"-30")	✓
Counter (35.5"-36")	✓
Bar (41.5"-42")	✓

U-Leg, 1/2" x 4" Flat Stock

Minimum Top Size: 16"x30"
Maximum Top Size: 60"x144"

Available Top Shapes
 Rectangle, Racetrack, Boat



Finished Table Height	Levelers
Dining (29.5"-30")	✓
Counter (35.5"-36")	✓
Bar (41.5"-42")	✓

MISSION

FURNITURE OVERVIEW

SEMI-CUSTOM

STOOLS/CHAIRS

CUSTOM

INSPIRATION

TABLES

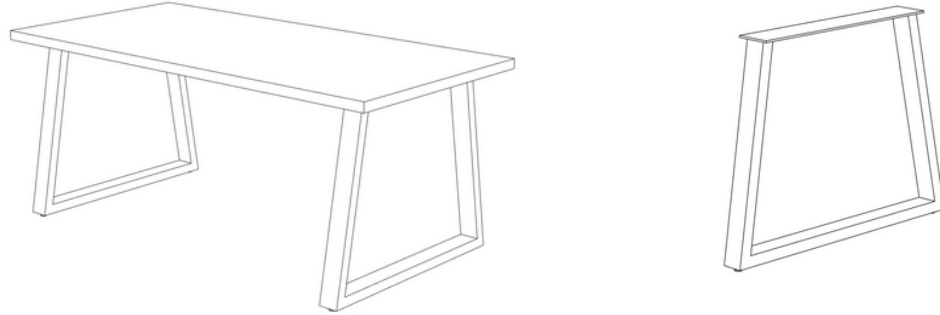
BENCHES

METAL BASES

MISSION

Trapezoid Leg, 3" x 1.5" Rectangular Tube

FURNITURE OVERVIEW



Minimum Top Size: 36"x36"
Maximum Top Size: 60"x144"

Available Top Shapes
Rectangle, Racetrack, Boat

Finished Table Height	Levelers
Dining (29.5"-30")	✓
Counter (35.5"-36")	✓
Bar (41.5"-42")	✓

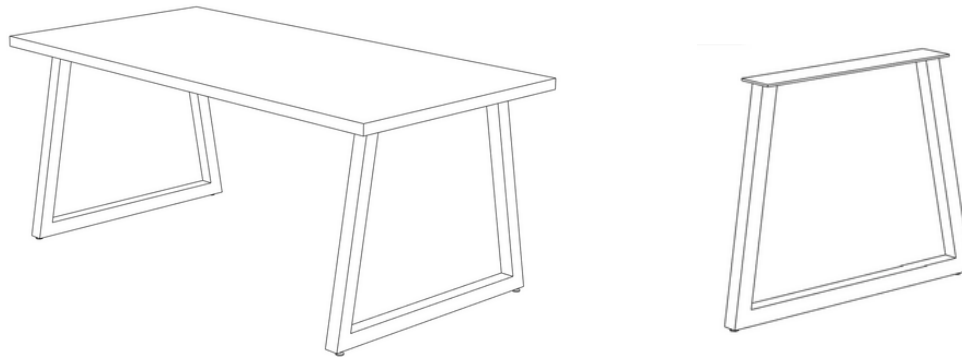
SEMI-CUSTOM

TABLES

BENCHES

STOOLS/CHAIRS

Trapezoid Leg, 2" Square Tube



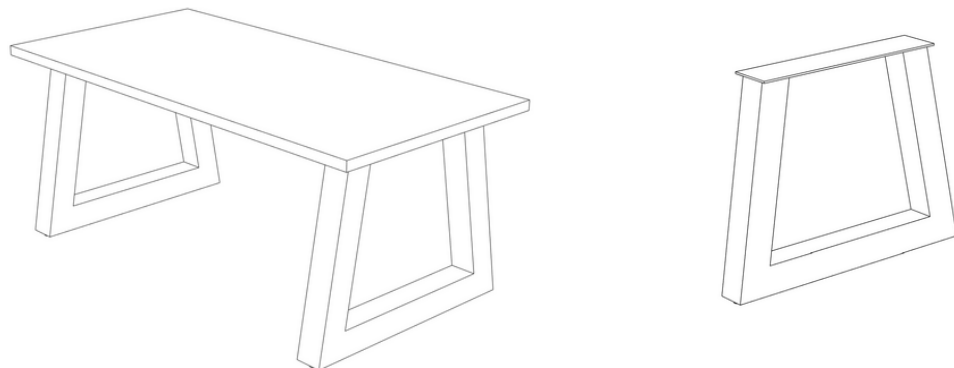
Minimum Top Size: 36"x36"
Maximum Top Size: 60"x144"

Available Top Shapes
Rectangle, Racetrack, Boat

Finished Table Height	Levelers
Dining (29.5"-30")	✓
Counter (35.5"-36")	✓
Bar (41.5"-42")	✓

CUSTOM

Trapezoid Leg, 4" Square Tube



Minimum Top Size: 36"x36"
Maximum Top Size: 60"x144"

Available Top Shapes
Rectangle, Racetrack, Boat

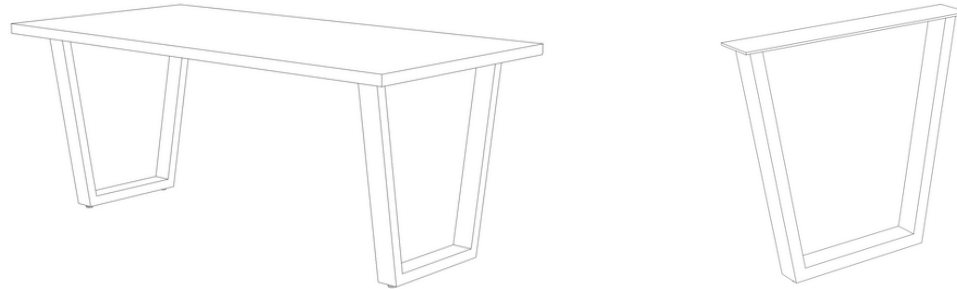
Finished Table Height	Felt Pads
Dining (29.5"-30")	✓
Counter (35.5"-36")	✓
Bar (41.5"-42")	✓

INSPIRATION

METAL BASES

MISSION

Inverted Trapezoid Leg, 3" x 1.5" Rectangular Tube



Minimum Top Size: 36"x36"
Maximum Top Size: 60"x144"

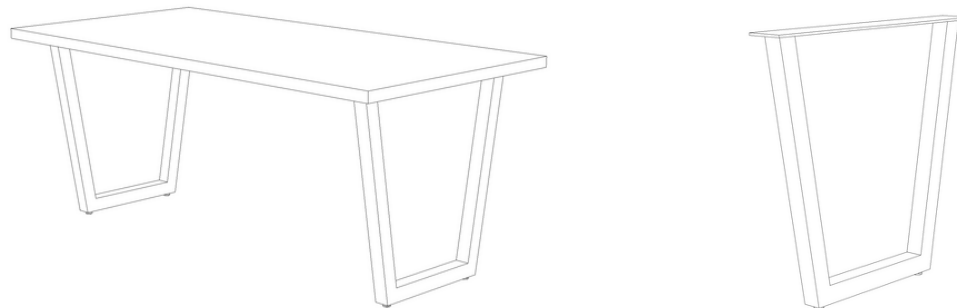
Available Top Shapes
Rectangle, Racetrack, Boat

Finished Table Height	Levelers
Dining (29.5"-30")	✓
Counter (35.5"-36")	✓
Bar (41.5"-42")	

FURNITURE OVERVIEW

SEMI-CUSTOM
STOOLS/CHAIRS BENCHES TABLES

Inverted Trapezoid Leg, 2" Square Tube

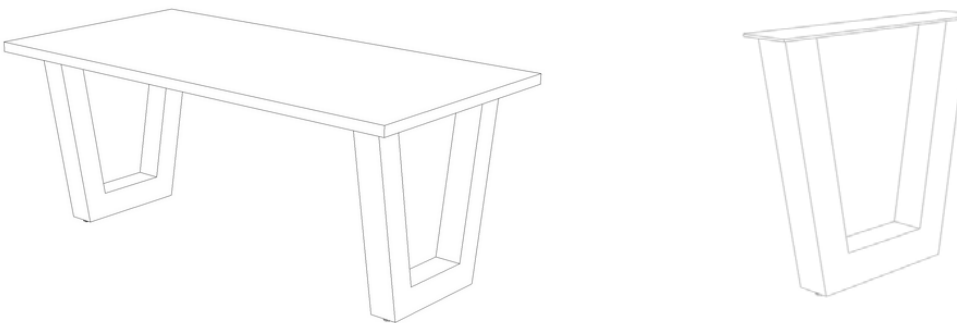


Minimum Top Size: 36"x36"
Maximum Top Size: 60"x144"

Available Top Shapes
Rectangle, Racetrack, Boat

Finished Table Height	Levelers
Dining (29.5"-30")	✓
Counter (35.5"-36")	✓
Bar (41.5"-42")	

Inverted Trapezoid Leg, 4" Square Tube



Minimum Top Size: 36"x36"
Maximum Top Size: 60"x144"

Available Top Shapes
Rectangle, Racetrack, Boat

Finished Table Height	Felt Pads
Dining (29.5"-30")	✓
Counter (35.5"-36")	✓
Bar (41.5"-42")	

CUSTOM

INSPIRATION

METAL BASES

MISSION

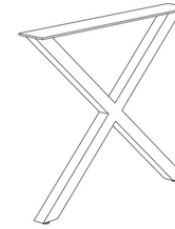
X-Leg, 2" Square Tube

Stretcher Bar Available

Minimum Top Size: 34"x48"
Maximum Top Size: 60"x144"

Available Top Shapes
 Rectangle, Racetrack, Boat

FURNITURE OVERVIEW



Finished Table Height	Levelers	Minimum Top Width
Dining (29.5"-30")	✓	34"
Counter (35.5"-36")	✓	40"
Bar (41.5"-42")	✓	46"

SEMI-CUSTOM

TABLES

BENCHES

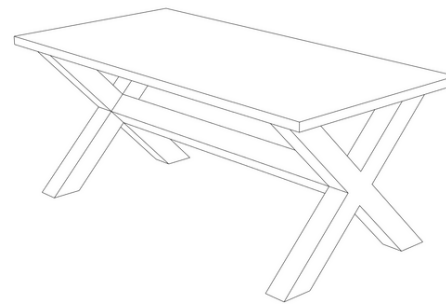
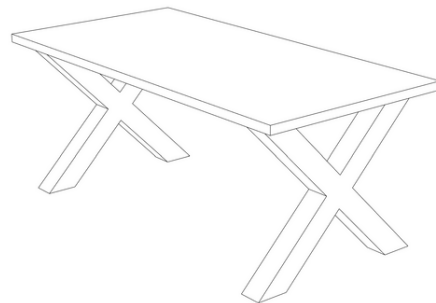
STOOLS/CHAIRS

X-Leg, 4" Square Tube

Stretcher Bar Available

Minimum Top Size: 36"x48"
Maximum Top Size: 60"x144"

Available Top Shapes
 Rectangle, Racetrack, Boat



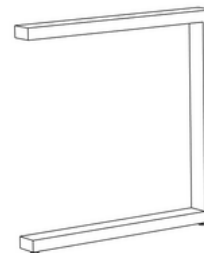
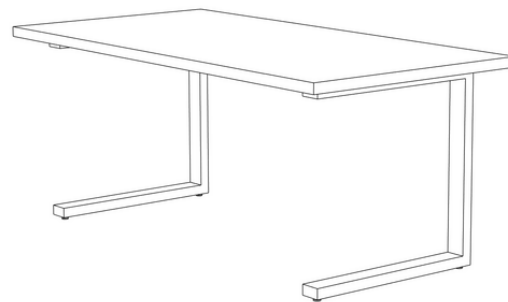
Finished Table Height	Felt Pads	Minimum Top Width
Dining (29.5"-30")	✓	36"
Counter (35.5"-36")	✓	42"
Bar (41.5"-42")	✓	48"

CUSTOM

C-Leg, 3" x 1.5" Rectangular Tube

Minimum Top Size: 16"x30"
Maximum Top Size: 60"x144"

Available Top Shapes
 Rectangle



Finished Table Height	Levelers	Casters
Dining (29.5"-30")	✓	✓
Counter (35.5"-36")	✓	✓
Bar (41.5"-42")	✓	

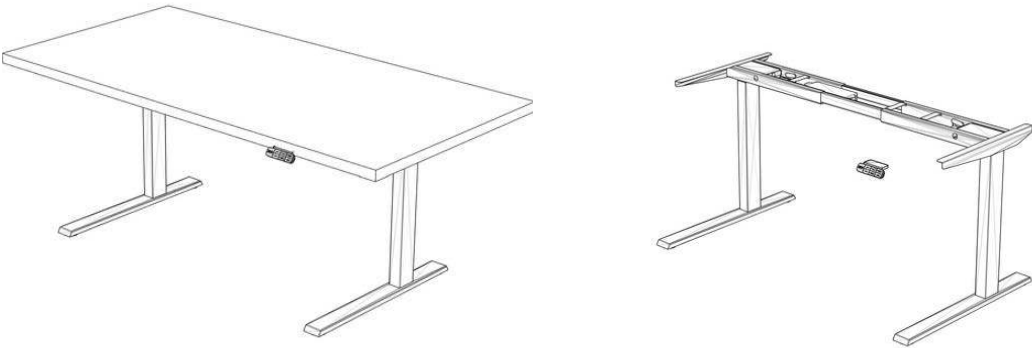
INSPIRATION

METAL BASES

Height-Adjustable Desk Base (Sit/Stand Option)

Minimum Top Size: 24"x48"
Maximum Top Size: 30"x72"

Available Top Shapes
 Rectangle



Humanscale eFloat Go 2.0 base.
 Only available in black, silver, and white.
 Height-adjustable between 29" and 46" tall.

MISSION		
FURNITURE OVERVIEW		
SEMI-CUSTOM		
STOOLS/CHAIRS	BENCHES	TABLES
CUSTOM		
INSPIRATION		

WOOD BASES

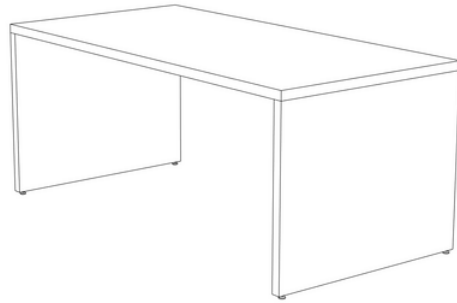
MISSION

Slab Leg, Butt Joint

Stretcher Bar Available

Minimum Top Size: 12"x36"
Maximum Top Size: 48"x120"

Available Top Shapes
 Rectangle



Finished Table Height	Levelers
Dining (29.5"-30")	✓
Counter (35.5"-36")	✓
Bar (41.5"-42")	✓

1.5" thickness only

FURNITURE OVERVIEW

SEMI-CUSTOM

TABLES

BENCHES

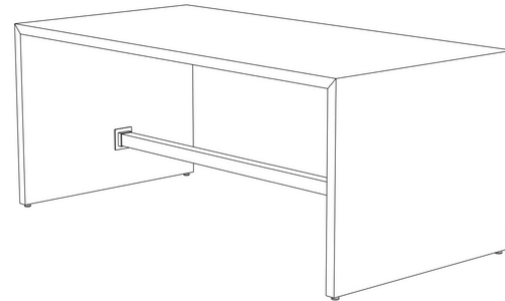
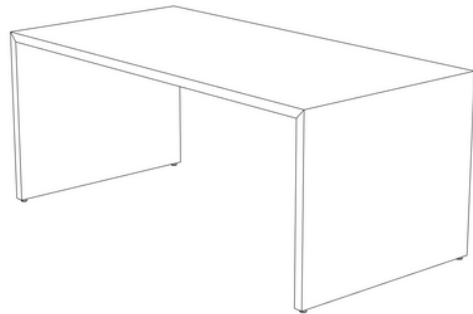
STOOLS/CHAIRS

Slab Leg, Mitered Joint

Stretcher Bar Available

Minimum Top Size: 12"x36"
Maximum Top Size: 48"x120"

Available Top Shapes
 Rectangle



Finished Table Height	Levelers
Dining (29.5"-30")	✓
Counter (35.5"-36")	✓
Bar (41.5"-42")	✓

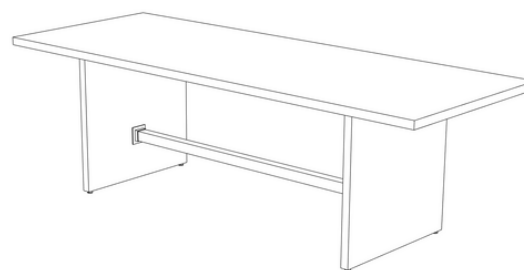
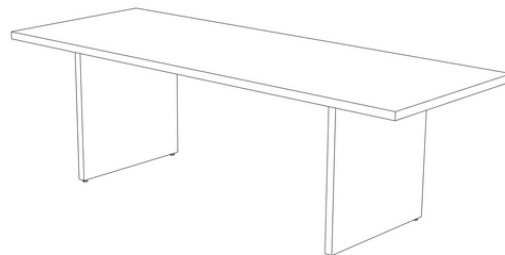
1.5" thickness only

Inset Slab Leg

Stretcher Bar Available

Minimum Top Size: 24"x72"
Maximum Top Size: 48"x120"

Available Top Shapes
 Rectangle, Racetrack, Boat



Finished Table Height	Levelers
Dining (29.5"-30")	✓
Counter (35.5"-36")	
Bar (41.5"-42")	

1.5" thickness only

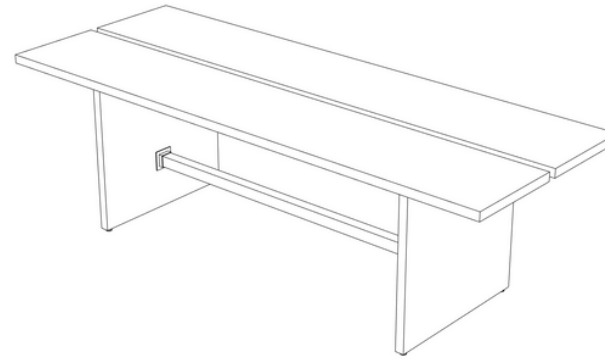
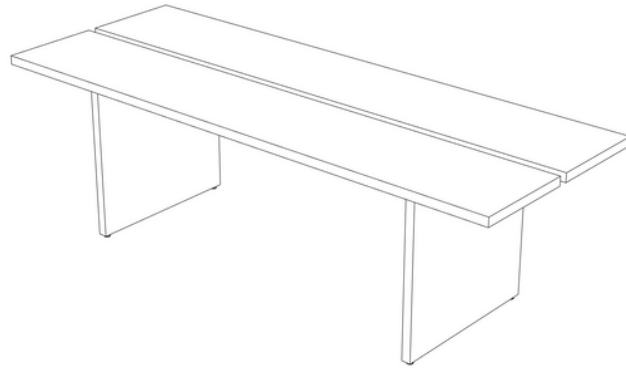
CUSTOM

INSPIRATION

WOOD BASES

Inset Slab Leg with Split Top

Stretcher Bar Available



Minimum Top Size: 24"x72"
Maximum Top Size: 48"x120"

Available Top Shapes
 Rectangle Split Top

Finished Table Height	Levelers
Dining (29.5"-30")	✓
Counter (35.5"-36")	
Bar (41.5"-42")	

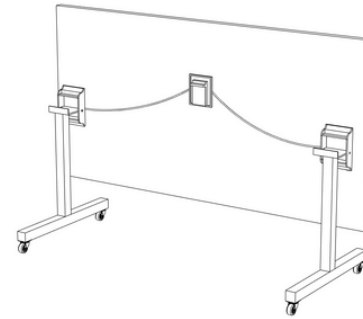
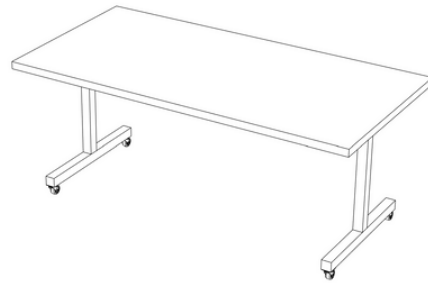
1.5" thickness only

REBUILDING LIVES. BUILDING FURNITURE.
PURPOSEFUL-DESIGN™
 — EST.2013 —

MISSION
FURNITURE OVERVIEW
SEMI-CUSTOM
STOOLS/CHAIRS
BENCHES
TABLES
CUSTOM
INSPIRATION

FLIP-TOP BASES

T-Leg, 2" Square Tube with Flip-Top



Minimum Top Size: 24"x48"
Maximum Top Size: 48"x72"

Available Top Shapes
 Rectangle, Ellipse

Finished Table Height	Casters
Dining (29.5"-30")	✓
Counter (35.5"-36")	✓
Bar (41.5"-42")	

MISSION

FURNITURE OVERVIEW

SEMI-CUSTOM

STOOLS/CHAIRS

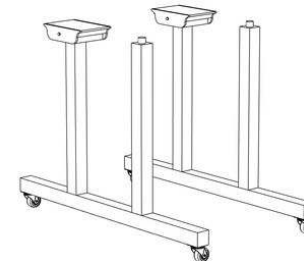
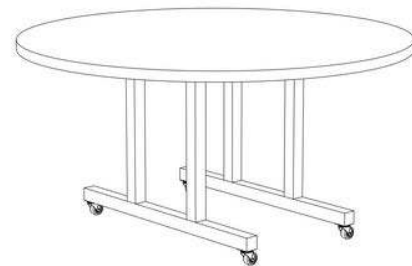
CUSTOM

INSPIRATION

TABLES

BENCHES

2 Post T-Leg, 2" Square Tube with Flip-Top

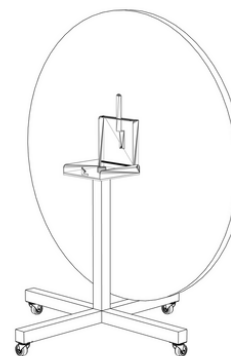


Minimum Top Size: 48"x48"
Maximum Top Size: 60"x60"

Available Top Shapes
 Square, Round

Finished Table Height	Casters
Dining (29.5"-30")	✓
Counter (35.5"-36")	✓
Bar (41.5"-42")	

Pedestal Base, Cross Style, 2" Square Tube with Flip-Top



Minimum Top Size: 24"x24"
Maximum Top Size: 48"x48"

Available Top Shapes
 Square, Round

Finished Table Height	Casters
Dining (29.5"-30")	✓
Counter (35.5"-36")	✓
Bar (41.5"-42")	

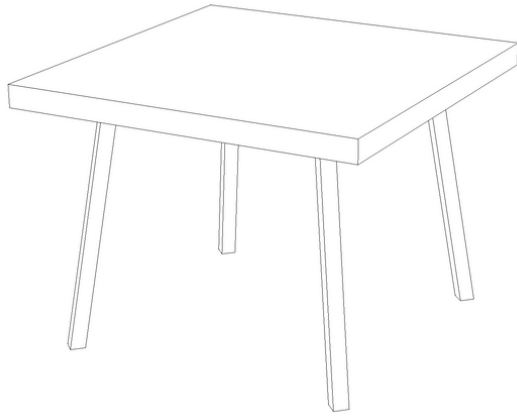


MISSION

OCCASIONAL TABLES

Post Leg, 1" Square Tube, angled 10 degrees

FURNITURE OVERVIEW



Finished Table Height

Any height between 16" and 26",
in 1" increments

Material: Steel

Minimum Top Size: 16"x16"

Maximum Top Size: 48"x48"

Feet: Felt Pads

Cross Base, 2" Square Tube

Finished Table Height

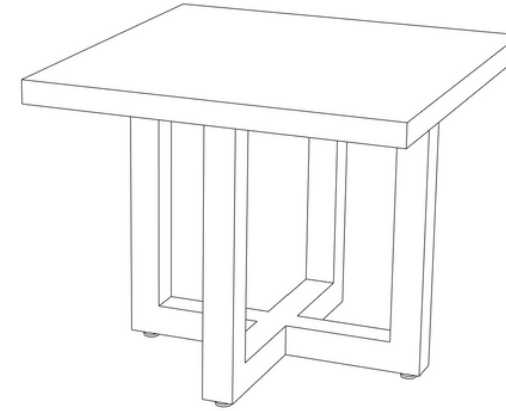
Any height between 16" and 26",
in 1" increments

Material: Steel

Minimum Top Size: 16"x16"

Maximum Top Size: 36"x72"

Feet: Levelers



TABLES

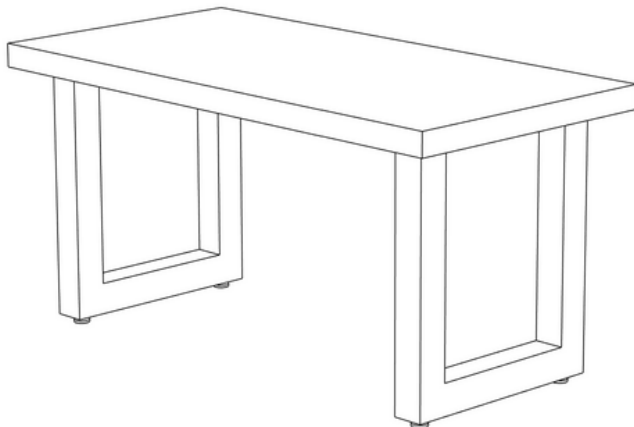
SEMI-CUSTOM

STOOLS/CHAIRS

CUSTOM

INSPIRATION

U-Leg, 2" Square Tube



Finished Table Height

Any height between 16" and 26",
in 1" increments

Material: Steel

Minimum Top Size: 16"x24"

Maximum Top Size: 32"x48"

Feet: Levelers

1/2" Rod Cross



Finished Table Height

Any height between 16" and 26",
in 1" increments

Material: Steel

Minimum Top Size: 16"x16"

Maximum Top Size: 48"x48"

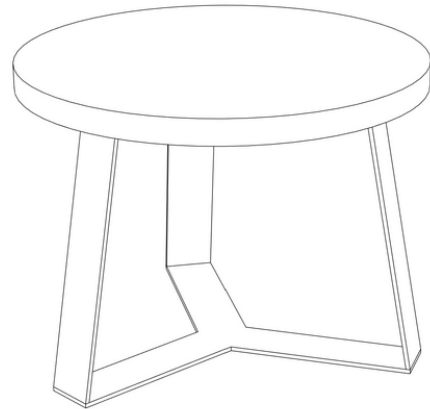
Feet: Plastic pads



OCCASIONAL TABLES

MISSION

Y-Base, 1/4" x 3" Flat Stock



Finished Table Height

Any height between 16" and 26",
in 1" increments

Material: Steel

Minimum Top Size: 16"x16"
Maximum Top Size: 48"x48"

Feet: Felt Pads

Y-Base, 2" x 1" Rectangular Tube



Finished Table Height

Any height between 16" and 26",
in 1" increments

Material: Steel

Minimum Top Size: 16"x16"
Maximum Top Size: 48"x48"

Feet: Levelers

FURNITURE
OVERVIEW

TABLES

SEMI-CUSTOM

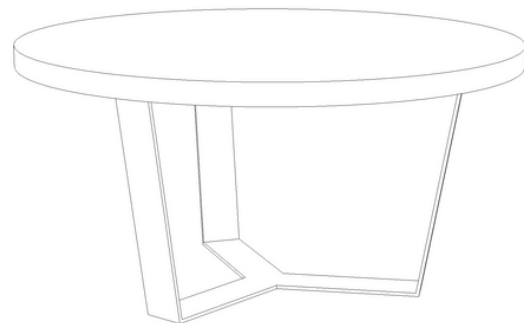
BENCHES

STOOLS/CHAIRS

CUSTOM

INSPIRATION

Inverted Y-Base, 1/4" x 3" Flat Stock



Finished Table Height

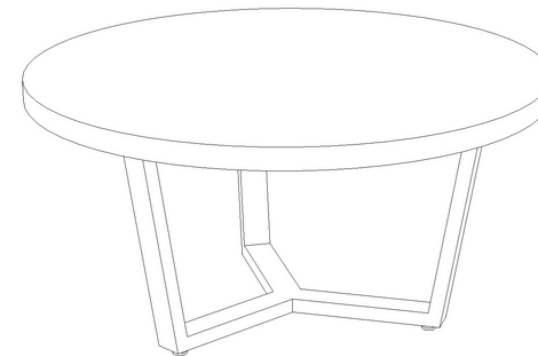
Any height between 16" and 26",
in 1" increments

Material: Steel

Minimum Top Size: 30"x30"
Maximum Top Size: 48"x48"

Feet: Felt Pads

Inverted Y-Base, 2" x 1" Rectangular Tube



Finished Table Height

Any height between 16" and 26",
in 1" increments

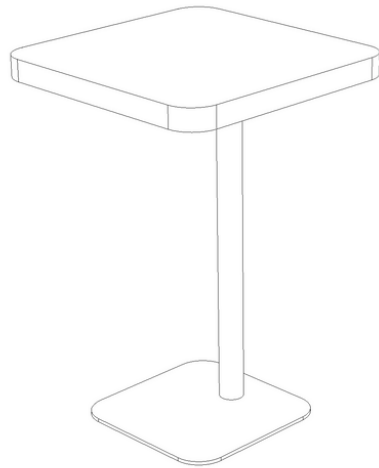
Material: Steel

Minimum Top Size: 30"x30"
Maximum Top Size: 48"x48"

Feet: Levelers

OCCASIONAL TABLES

Laptop Table, 1" Round Tube Pedestal



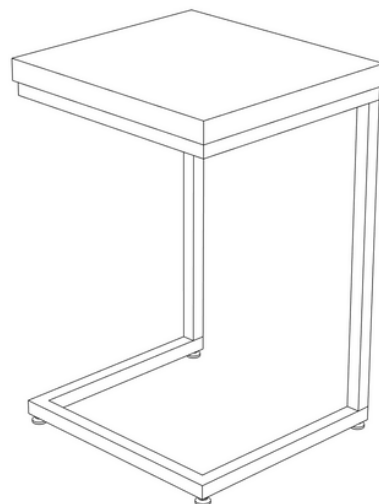
Finished Table Height
Any height between 24" and 26",
in 1" increments

Material: Steel

Available with a 14"x18" top only

Feet: Felt Pads

Laptop table, 1" Square Tube



Finished Table Height
Any height between 24" and 26",
in 1" increments

Material: Steel

Available with a 14"x18" top only

Feet: Levelers

9 PAINT COLOR

Choose a paint color for your base.

Black			Bronze
Gray			Silver
Chocolate Brown			White
Gold			Tan

A custom paint color can also be done upon request.

MISSION

FURNITURE OVERVIEW

SEMI-CUSTOM

TABLES

BENCHES

STOOLS/CHAIRS

CUSTOM

INSPIRATION

MISSION		
FURNITURE OVERVIEW		
SEMI-CUSTOM		
STOOLS/CHAIRS	BENCHES	TABLES
CUSTOM		
INSPIRATION		



SEMI-CUSTOM BENCHES

REBUILDING LIVES. BUILDING FURNITURE.
 PURPOSEFUL-DESIGN 44444 CLIF
 BUILDING FURNITURE



REBUILDING LIVES. BUILDING FURNITURE.
PURPOSEFUL-DESIGN™
 — EST.2013 —

MISSION		
FURNITURE OVERVIEW		
SEMI-CUSTOM	STOOLS/CHAIRS	TABLES
	BENCHES	
CUSTOM		
INSPIRATION		

DESIGN ELEMENTS — BENCHES

To create a bench in the Semi-Custom Design Lane, follow the numbered steps through this document and select an option for each Design Element.

All benches will come standard with the following:

- 18" finished height
- Rectangle-shaped wood top, 1.5" thick
- Levelers

1 SIZING—WIDTH AND LENGTH

The width and length of your bench top can be specified in 1" increments.

1. Choose a width between 16" and 18"
2. Choose a length between 36" and 96"



DESIGN ELEMENTS — BENCHES

2 WOOD SPECIES

Choose a species for the top. All tops will be rectangle-shaped and 1.5" thick.

Wood Species From least expensive to most expensive	Natural Finish	Stain Colors	Finished Texture
Ash		Natural or Stained	Can see/feel grain
Maple		Natural or Stained	Smooth
Cherry		Natural or Stained	Smooth
Quarter-Sawn Red Oak		Natural or Stained	Can see/feel grain
Flat-Sawn White Oak		Natural Only	Can see/feel grain
Walnut		Natural Only	Smooth









Not seeing the wood species you are looking for? We can further customize the species of your top in the [Custom Design Lane](#).

For maximum durability, all of our benches are treated with a commercial-grade finish. Our default finish sheen is **Matte**, as we think Matte allows the wood to retain a natural look. Customers desiring a shinier surface finish may request that their top be finished in a Satin sheen.



3 STAIN COLOR

Choose a stain color, or opt to have your bench finished 'Natural'.

Aged Ash	
Early American	
Classic Gray	
Red Mahogany	
Jacobean	
Mocha	
Ebony	
True Black	

*not available on Maple

*not available on Maple

A custom stain match can also be done upon request.

DESIGN ELEMENTS — BENCHES

4 BRANDING

Choose from the following:

- **Purposeful Design Hot Iron Brand (default)**
- Hot Iron Brand with customer-specified logo.

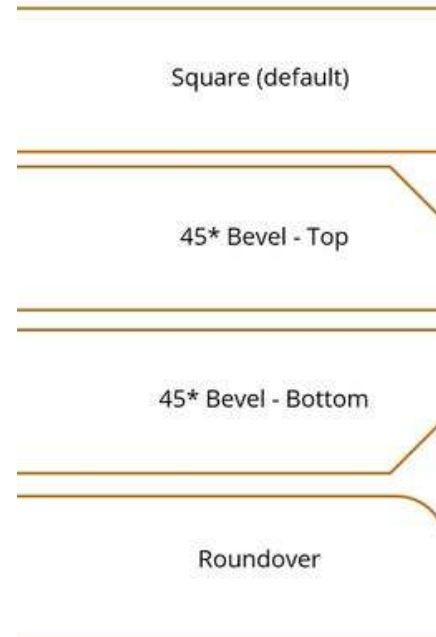
The hot iron brand will be placed in the corner of the bench top.



5 EDGE PROFILE

Choose from the following:

- **Square (Default)**
- 45* Bevel - Top
- 45* Bevel - Bottom
- Roundover



6 BASE STYLES

Choose from our array of bases on the following pages.

Further customizations are available in the Custom Design Lane:

- Custom-designed base style, including solid wood bases
- Custom bench height

MISSION
FURNITURE OVERVIEW
SEMI-CUSTOM
STOOLS/CHAIRS
BENCHES
TABLES
CUSTOM
INSPIRATION

DESIGN ELEMENTS — BENCHES

MISSION

FURNITURE OVERVIEW

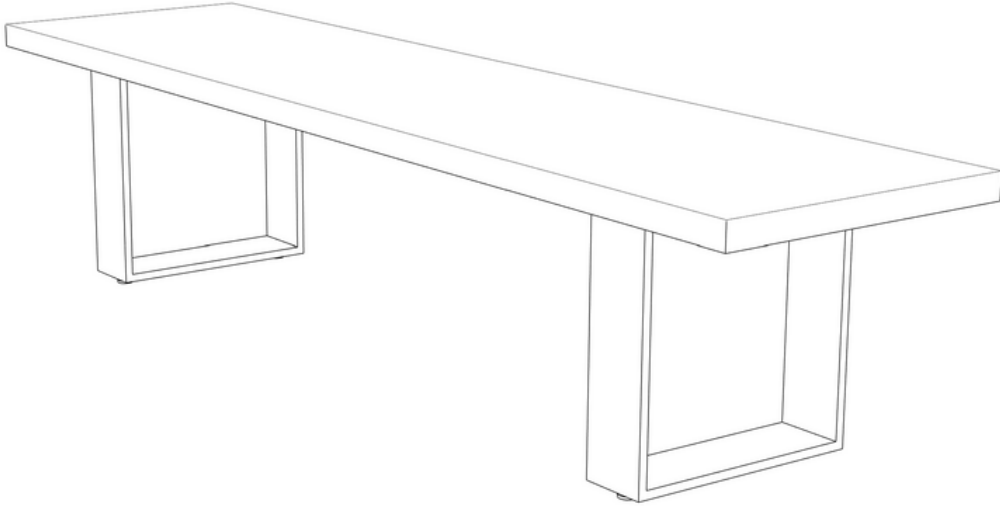
SEMI-CUSTOM
STOOLS/CHAIRS BENCHES TABLES

CUSTOM

INSPIRATION

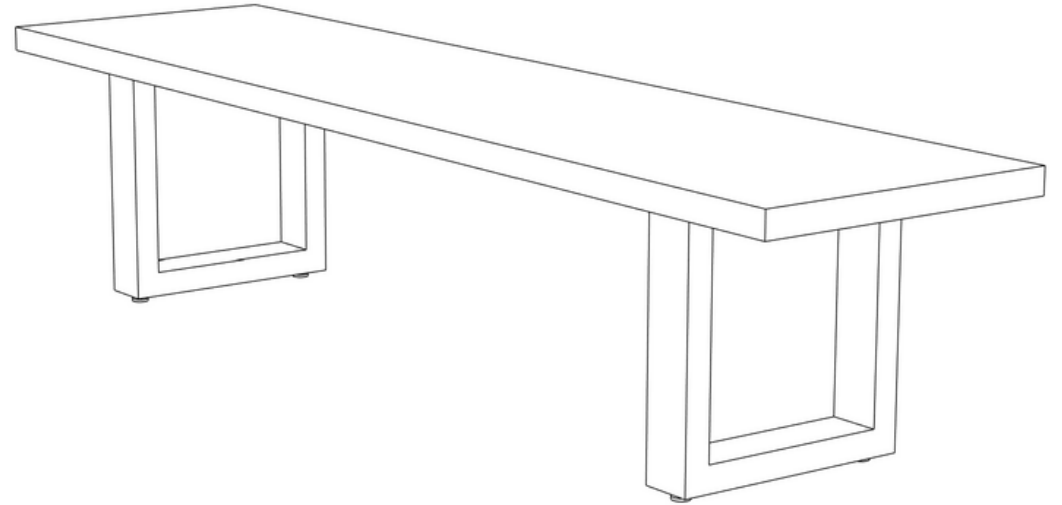
U-Leg, 1/2" x 4" Flat Stock

Material: Steel (with felt pads)



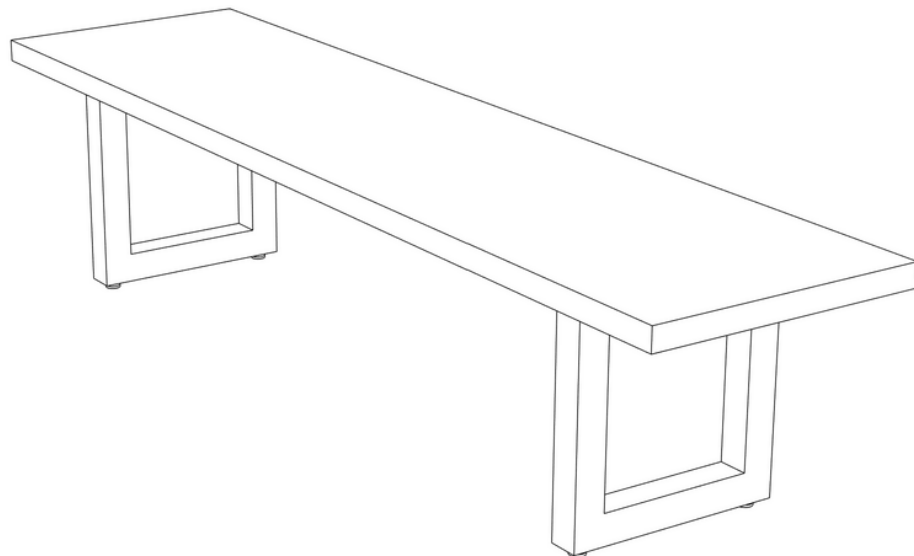
U-Leg, 3" x 1.5" Rectangular Tube

Material: Steel



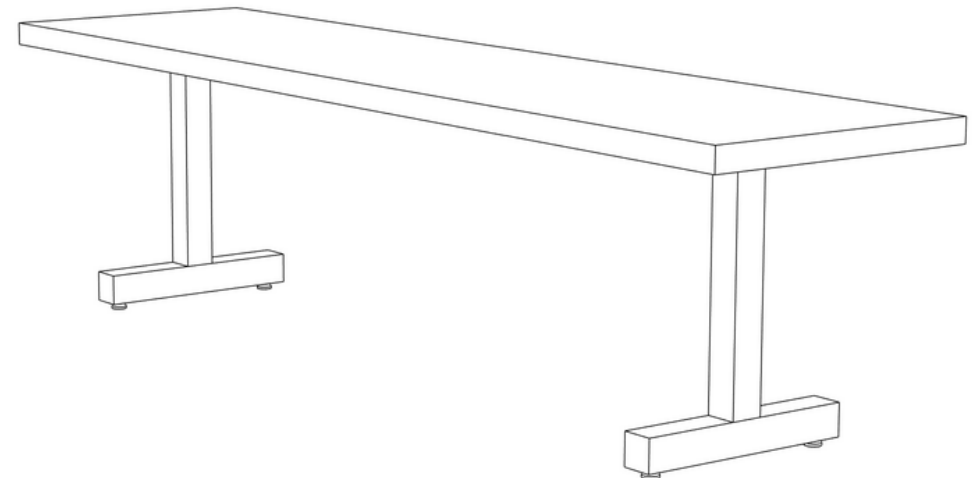
U-Leg, 2" Square Tube

Material: Steel



T-Leg, 2" Square Tube

Material: Steel



DESIGN ELEMENTS — BENCHES

MISSION

FURNITURE OVERVIEW

SEMI-CUSTOM

STOOLS/CHAIRS

CUSTOM

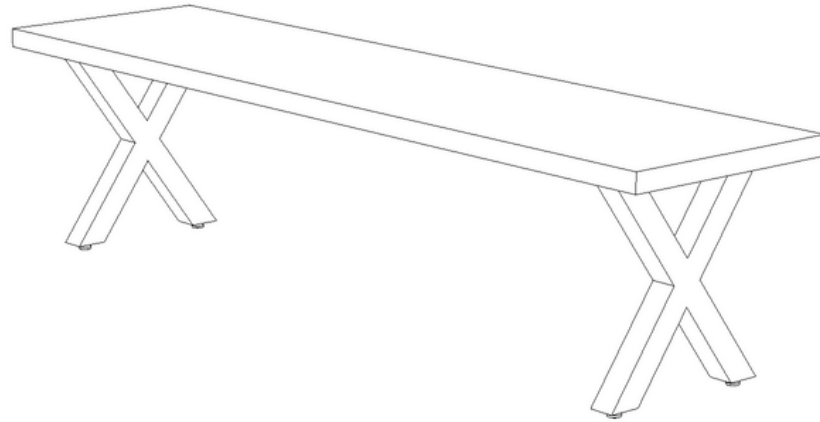
INSPIRATION

TABLES

BENCHES

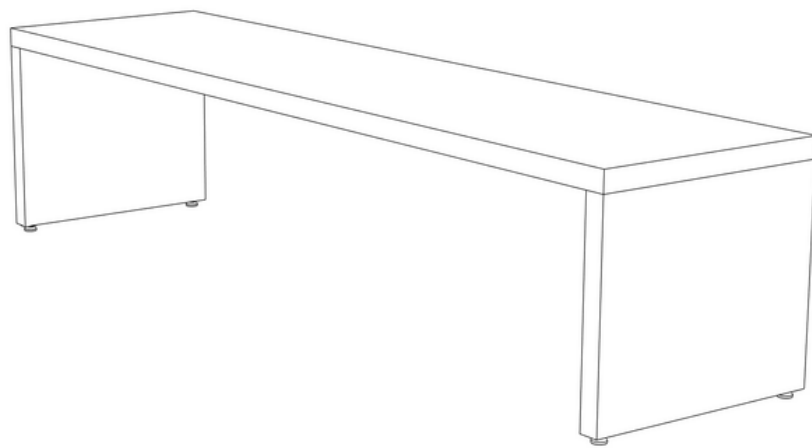
X-Leg, 2" Square Tube

Material: Steel



Slab Leg - Butt Joint

Material: Wood



7 PAINT COLOR

Choose a paint color for your base.

Black		Bronze
Gray		Silver
Chocolate Brown		White
Gold		Tan

A custom paint color can also be done upon request.

MISSION

FURNITURE
OVERVIEW

SEMI-CUSTOM

TABLES

BENCHES

STOOLS/CHAIRS

CUSTOM

INSPIRATION

SEMI-CUSTOM STOOLS AND CHAIRS



REBUILDING LIVES. BUILDING FURNITURE.

PURPOSEFUL-DESIGN™

— EST.2013 —

DESIGN ELEMENTS — STOOLS/CHAIRS

To create a chair or stool in the Semi-Custom Design Lane, follow the numbered steps through this document and select an option for each Design Element.

1 WOOD SPECIES

Wood Species From least expensive to most expensive	Natural Finish	Stain Colors	Finished Texture
Ash		Natural or Stained	Can see/feel grain
Maple		Natural or Stained	Smooth
Cherry		Natural or Stained	Smooth
Quarter-Sawn Red Oak		Natural or Stained	Can see/feel grain
Flat-Sawn White Oak		Natural Only	Can see/feel grain
Walnut		Natural Only	Smooth

All chairs/stools will be made with a 1" thick wood seat and finished with a 1/4" round over.

For maximum durability, all of our products are treated with a commercial-grade finish. Our default finish sheen is **Matte**, as we think Matte allows the wood to retain a natural look. Customers desiring a shinier surface finish may request that their top be finished in a Satin sheen.

Not seeing the wood species you are looking for? We can further customize the species of your seat in the [Custom Design Lane](#).

2 STAIN COLOR

Choose a stain color, or opt to have the wood components of your chair/stool finished 'Natural'.

Aged Ash	
Early American	
Classic Gray	
Red Mahogany	
Jacobean	
Mocha	
Ebony	
True Black	

*not available on Maple

*not available on Maple

A custom stain match can also be done upon request.

DESIGN ELEMENTS — STOOLS/CHAIRS

MISSION

FURNITURE OVERVIEW

3 DESIGN STYLES

Choose from our array of designs on the following pages. Defining the difference, chairs have backs and stools do not.

SEMI-CUSTOM

TABLES

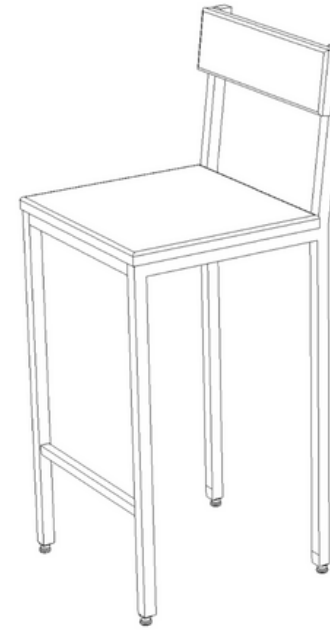
BENCHES

STOOLS/CHAIRS

CUSTOM

INSPIRATION

Chair: 1" Square Tube, Bar Height



PRODUCT SPECS:

- Base Material:** Steel
- Total Height:** 40"
- Height to Seat:** 30"
- Seat Dimensions:** 16.25" x 17.5"
- Back Dimensions:** 5" x 17.5"
- Back Shape:** Straight
- Feet:** Swivel Glide

Chair: 1" Square Tube, Dining Height



PRODUCT SPECS:

- Base Material:** Steel
- Total Height:** 28"
- Height to Seat:** 18"
- Seat Dimensions:** 16.25" x 17.5"
- Back Dimensions:** 5" x 17.5"
- Back Shape:** Straight
- Feet:** Swivel Glide

Chair: 1/2" Angled Rod, Dining Height



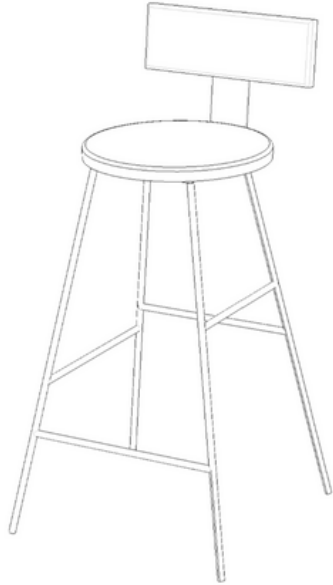
PRODUCT SPECS:

- Base Material:** Steel
- Total Height:** 28"
- Height to Seat:** 18"
- Seat Dimensions:** 14" Diameter
- Back Dimensions:** 5" x 14"
- Back Shape:** Curved
- Feet:** Rubber Cap

DESIGN ELEMENTS — STOOLS/CHAIRS

MISSION

Chair: 1/2" Angled Rod, Bar Height



PRODUCT SPECS:

Base Material: Steel
Total Height: 40"
Height to Seat: 30"
Seat Dimensions: 14" Diameter
Back Dimensions: 5" x 14"
Back Shape: Curved
Feet: Rubber Cap

FURNITURE OVERVIEW

Stool: 1/2" Angled Rod, Dining Height



PRODUCT SPECS:

Base Material: Steel
Total Height: 18"
Seat Dimensions: 14" diameter
Feet: Rubber Cap

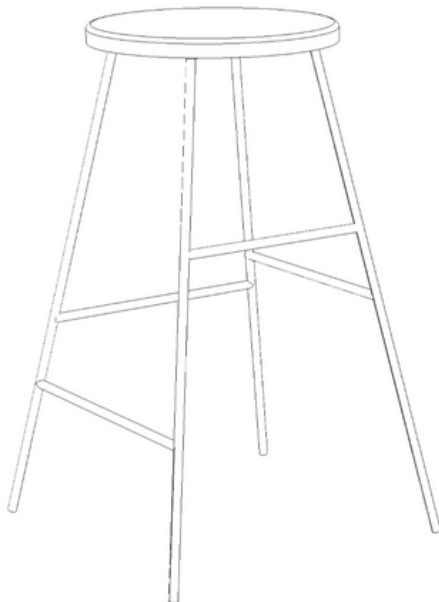
SEMI-CUSTOM

TABLES

BENCHES

STOOLS/CHAIRS

Stool: 1/2" Angled Rod, Bar Height

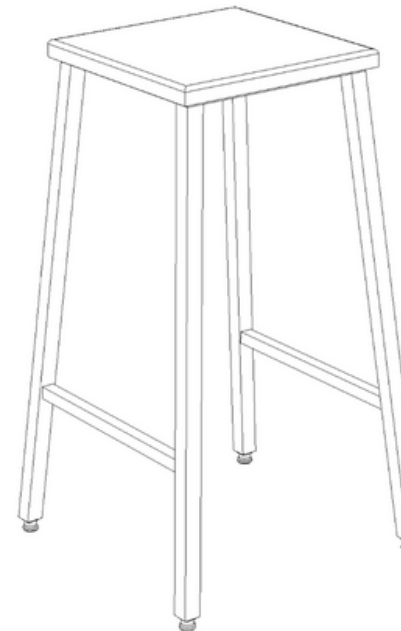


PRODUCT SPECS:

Base Material: Steel
Total Height: 30"
Seat Dimensions: 14" diameter
Feet: Rubber Cap

CUSTOM

Stool: 1" Square Tube, Bar Height



PRODUCT SPECS:

Base Material: Steel
Total Height: 30"
Seat Dimensions: 14" x 14"
Feet: Swivel Glide

INSPIRATION

DESIGN ELEMENTS — STOOLS/CHAIRS

Stool: 1" Angled Square Tube, Dining Height, Stackable



PRODUCT SPECS:

Base Material: Steel
Total Height: 18"
Seat Dimensions: 12" x 19.5", radius-ed corners
Feet: Swivel Glide

4 PAINT COLOR

Choose a paint color for your chair/stool.



A custom paint color can also be done upon request.



MISSION

FURNITURE
OVERVIEW

SEMI-CUSTOM

TABLES

BENCHES

STOOLS/CHAIRS

CUSTOM

INSPIRATION

CUSTOM DESIGN LANE



REBUILDING LIVES. BUILDING FURNITURE.

PURPOSEFUL-DESIGN™

— EST.2013 —

CUSTOM DESIGN

Here’s how we approach the “Design and Price” phase of our 6-Step Proven Process.

1

DESIGN CREATION

Work with PD Engineering & Design Team to develop a 3-D drawing of your furniture’s design.

2

DESIGN REVIEW AND REVISIONS

Review our team’s work and provide feedback in a round of revisions.

3

DESIGN APPROVAL

Once we get the design just right, we will move forward with generating a price.

4

PRICING

LOOKING FOR INSPIRATION?

The rest of this document contains examples of Purposeful Design furniture. Our furniture has landed in the conferences rooms, common areas, café spaces, and offices of Fortune 500 companies, schools and universities, and municipalities across the United States.



MISSION
FURNITURE OVERVIEW
SEMI-CUSTOM
STOOLS/CHAIRS
BENCHES
TABLES
CUSTOM
INSPIRATION

PRODUCT INSPIRATION



REBUILDING LIVES. BUILDING FURNITURE.
PURPOSEFUL-DESIGN™
— EST.2013 —

MISSION

FURNITURE
OVERVIEW

TABLES

BENCHES

STOOLS/CHAIRS

SEMI-CUSTOM

CUSTOM

INSPIRATION

MISSION
FURNITURE OVERVIEW
SEMI-CUSTOM
STOOLS/CHAIRS
BENCHES
TABLES
CUSTOM
INSPIRATION



EXECUTIVE CONFERENCE TABLE
Custom

MISSION	FURNITURE OVERVIEW		SEMI-CUSTOM		CUSTOM	INSPIRATION
			STOOLS/CHAIRS	BENCHES	TABLES	



LIVE EDGE CONFERENCE TABLE
Custom



SIDE TABLE
Semi-Custom



LEGO WALL
Custom

MISSION		
FURNITURE OVERVIEW		
SEMI-CUSTOM	STOOLS/CHAIRS	TABLES
	BENCHES	
CUSTOM		
INSPIRATION		



PD

ROUND CAFETERIA TABLES

Semi-Custom

MISSION	FURNITURE OVERVIEW		SEMI-CUSTOM		CUSTOM	INSPIRATION
			STOOLS/CHAIRS	BENCHES		



CREDENZA
Custom



LIVE-EDGE BREAKROOM TABLE
Custom



MISSION
FURNITURE OVERVIEW
SEMI-CUSTOM
STOOLS/CHAIRS
BENCHES
TABLES
CUSTOM
INSPIRATION



CONFERENCE TABLE
Semi-custom



"GUITAR PICK" OCCASIONAL TABLE
Custom



CAFETERIA TABLE
Semi-custom

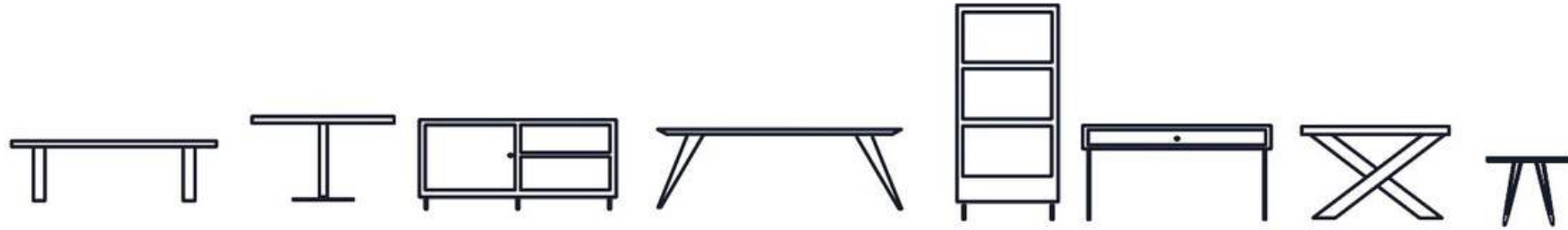
YOUR PURCHASE HELPS REBUILD LIVES

Not sure where to get started or which of the Design Lanes is right for you?

To get the conversation started, contact your salesperson or fill out an inquiry form at www.pdindy.com.

REBUILDING LIVES. BUILDING FURNITURE.
PURPOSEFUL-DESIGN™
— EST.2013 —





PURPOSEFUL DESIGN

